

CARBON FIBERS/COMPOSITES

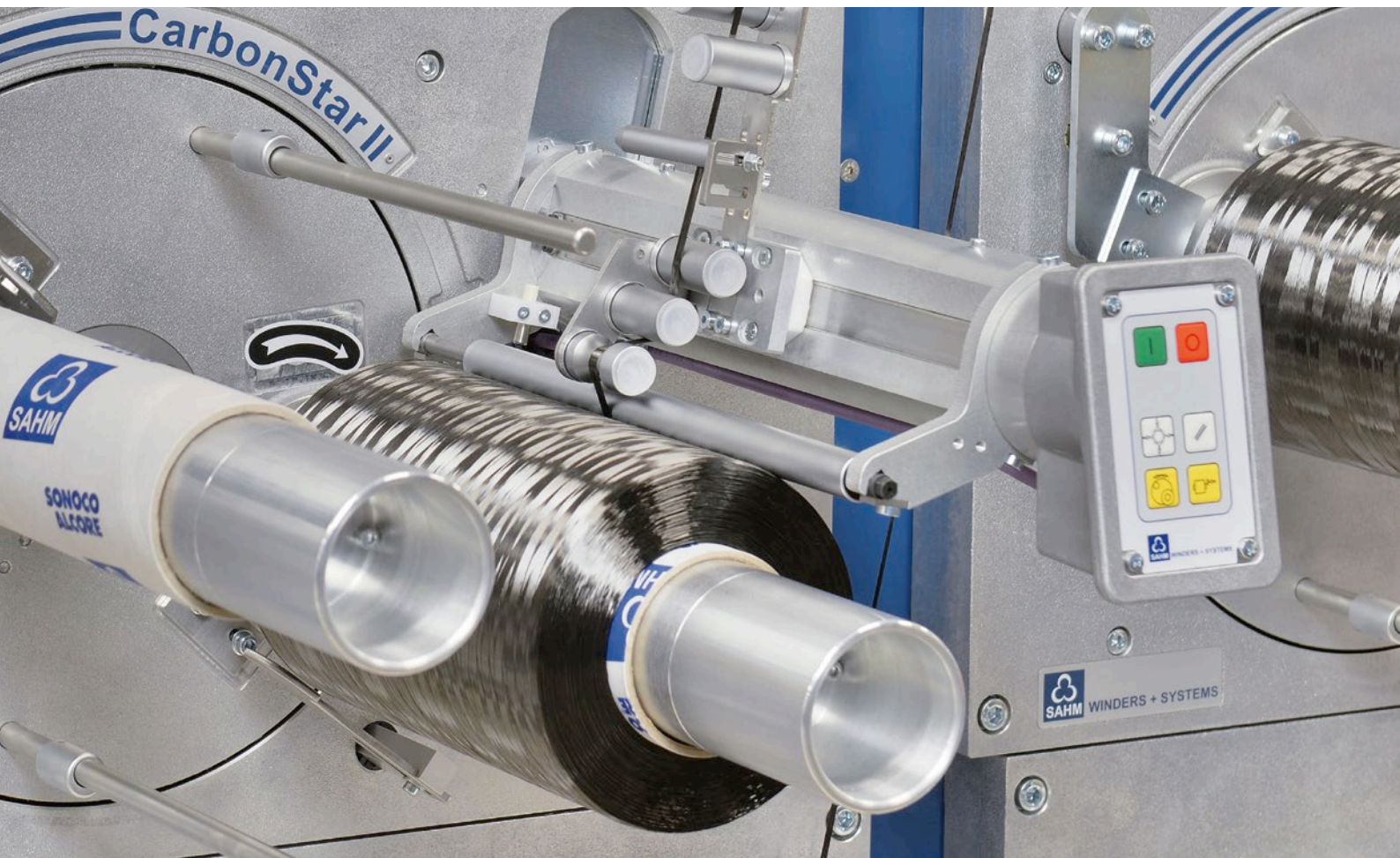


# CarbonStar II

Automatic Precision Cross Winders



**WINDERS + SYSTEMS**  
a member of Starlinger Group



The automatic precision cross winder **CarbonStar II** requires a **minimum amount of space** and features metered yarn length with **zero production waste** – plus no downtime during bobbin changeovers.



Quick and efficient product changes



Highest operating safety – yarn is caught and cut at rear of bobbin



Bobbin changeover reliability of 99.8%



Minimum yarn tail after automatic changeover

# CarbonStar II



2-15 m/min



250 mm



250 or 320 mm

## TECHNICAL DATA

	CarbonStar II standard	CarbonStar II big
Winding technology	Precision cross winding	Precision cross winding
Frame	3-tier	3-tier
Titer	3 to 60 K (others on request)	12 to 60 K (others on request)
Winding speed	2 to 15 m/min	2 to 15 m/min
Winding ratio	Electronic	Electronic
Traverse length	Max. 250 mm	Max. 250 mm
Package diameter	Max. 250 mm	Max. 320 mm
Package weight	12 kg	Up to 20 kg
Tube inside diameter	76.2 mm	76.2 mm
Tube length	280 mm	280 mm
Yarn tension	Electronically adjustable	Electronically adjustable
Parking position with push off device	Not included (option available)	Included
Bobbin mandrel	Pneumatical	Pneumatical

Combination of all maximum values is not possible.



### Yarn guide

The flexible roller system and holders allow the yarn guide system to be used for the range from 1K to 60K CF tows. Additionally, 280 mm and 290 mm tubes can be used without changing any parts.



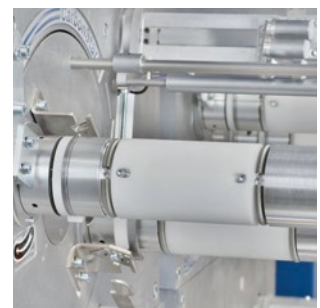
### Yarn catching and cutting system

The new catching and cutting system enables adjustment of the tail length and improves safety standards for operators.



### Pusher and parking position

Pusher and parking position allows CF producers to step into Industry 4.0 automation. Together with autodoing robot operators have more time for doffing during bobbin build up.



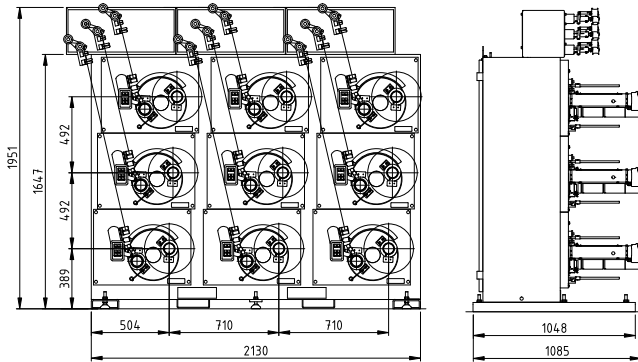
### Pneumatic spindle

Pneumatic spindle can be activated with different doffing modes where the operator does not need to activate the pusher and take the bobbin to parking position. A safe and user-friendly feature.



# CarbonStar II

## Automatic Precision Cross Winders



**FRAME UNIT** (standard with 9 winding heads – p or q wind possible)

### APPLICATIONS

- Carbon fibers

### ● FEATURES ○ OPTIONS

- Automatic bobbin changeover on reaching one of the following criteria: yarn length, winding time, package weight, package diameter or external signal
- Quick and efficient product changes by electronic data input of all winding parameters
- Electronically controlled winding ratio
- Central process control unit (HMI 12" touch screen) for input, display and storage of process and machine parameters
- Tube inside diameter (76.2 mm) tolerance + 0.5 mm possible
- Variable traverse lengths
- HMI 15" touch screen with high capacity processor for SQL database
- Interface to DCS
- Adaptable to an automatic bobbin handling system
- Frame unit with 6 heads
- Label printing system

Design, configuration and scope of supply are subject to change without notice and errors are excepted. Drawings/photos not binding.

**Carbon High Tech.**  
Made with  
SAHM Winding Technology.



The production of carbon fibers is complex and costly. All the more important that customers receive these fibers in perfect condition for further processing steps.

The statement "Made with SAHM Winding Technology" comes with our promise that all your fibers will be wound with the highest possible precision for a positive impact on the quality of the final material.

Put your trust in more than 70 years of experience and proven expertise from the technology leader.

Georg Sahn GmbH & Co. KG  
Sudetenlandstrasse 33, 37269 Eschwege, Germany  
T: +49 5651 804-0, F: +49 5651 13620  
E: info@sahmwinder.com, www.sahmwinder.com

**GERMAN**   
**Technology**