

CARBON FIBERS



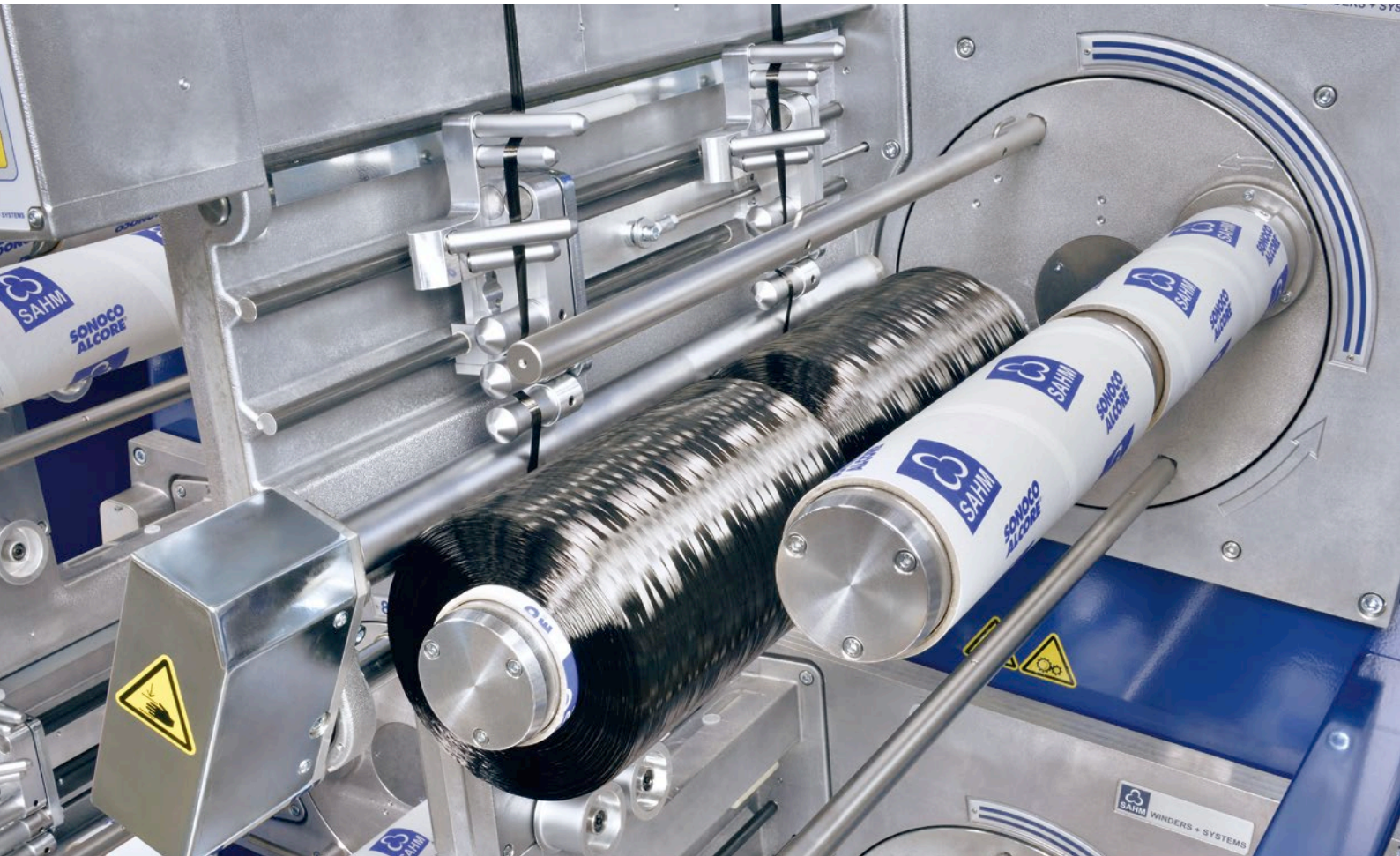
# CarbonStar 2-cop

Automatic Precision Cross Winder

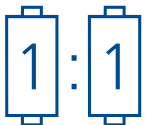


WINDING SOLUTIONS





The automatic precision cross winder **CarbonStar 2-cop** maximizes efficiency by producing two bobbins (each up to 20 kg) on one winding head. Requiring only a minimum amount of space, the winder has very low maintenance costs and features metered yarn length with zero production waste – plus no downtime during bobbin changeovers.



Two exact length, high quality spools with our patented diameter control.



Highest operating safety due to automatic changeover



Bobbin changeover reliability of 99.8%

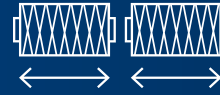


Energy savings from the latest drive technology

# CarbonStar 2-cop



2-20 m/min



2 x 250 mm



320 mm

## TECHNICAL DATA

|                      |                               |
|----------------------|-------------------------------|
| Winding technology   | Precision cross winding       |
| Drive                | Frequency-controlled          |
| Frame                | 1-, 2- or 3-tier              |
| Titer                | 3 to 60 K (others on request) |
| Winding speed        | 2 to 20 m/min                 |
| Winding ratio        | Electronic                    |
| Traverse length      | 2 x 250 mm                    |
| Package diameter     | Max. 320 mm                   |
| Package weight       | Up to 20 kg each bobbin       |
| Tube inside diameter | 76.2 mm                       |
| Tube length          | 280 mm                        |
| Yarn tension         | Electronically adjustable     |

Combination of all maximum values is not possible.



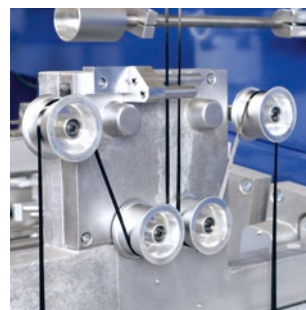
### Yarn guide

The flexible roller system can handle a material range from 3 K to 60 K. Opening the middle roller holder allows for easy thread up.



### Yarn catching and cutting system

The catching and cutting system enables adjustment of the tail length and improves safety standards for operators.



### Separate tension control

Two dancer arms allow the winder to control tension independently for each bobbin and compensates tension differences up to 10%, ensuring consistent bobbin quality.

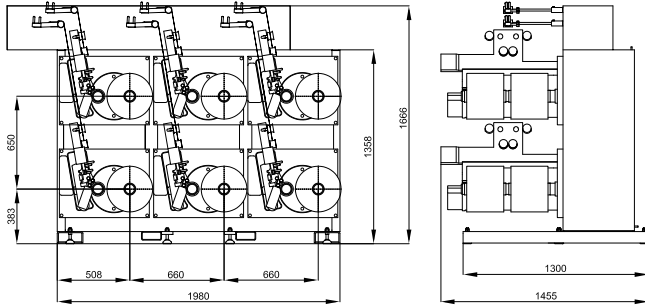


### Pneumatic spindles

Pneumatic spindles with end stops for both tubes guarantees that bobbins are always centered.

# CarbonStar 2-cop

Automatic Precision Cross Winder



**FRAME UNIT** (standard with 6 winding heads – q wind)

## APPLICATIONS

- Carbon fibers
- Specific towpregs

## ● FEATURES ○ OPTIONS

- Automatic bobbin changeover on reaching one of the following criteria: yarn length, winding time, package weight, package diameter or external signal
- Quick and efficient product changes by electronic data input of all winding parameters
- Electronically controlled winding ratio
- Central process control unit (HMI 12" touch screen) for input, display and storage of process and machine parameters
- Tube inside diameter (76.2 mm) tolerance + 0.5 mm possible
- HMI 15" touch screen with high capacity processor for SQL database
- Interface to DCS
- Frame unit with 9 heads
- Label printing system

Design, configuration and scope of supply are subject to change without notice and errors are excepted. Drawings/photos not binding.

## Carbon High Tech.

Made with  
SAHM Winding Technology.



The production of carbon fibers is complex and costly. All the more important that customers receive these fibers in perfect condition for further processing steps.

The statement "Made with SAHM Winding Technology" comes with our promise that all your fibers will be wound with the highest possible precision for a positive impact on the quality of the final material.

Put your trust in more than 75 years of experience and proven expertise from the technology leader.



A MEMBER OF STARLINGER GROUP

Georg Sahn GmbH & Co. KG  
Sudetenlandstrasse 33 · 37269 Eschwege · Germany  
T: +49 5651 804-0 · F: +49 5651 13620  
www.sahmwinder.com · info@sahmwinder.com

**GERMAN**   
**Technology**